



# PNEUMATIC TRANSFER AND FILLING PUMPS 72160 SERIES

For Oil or Grease and Non-corrosive Fluids.

72160  
72161

ENGLISH

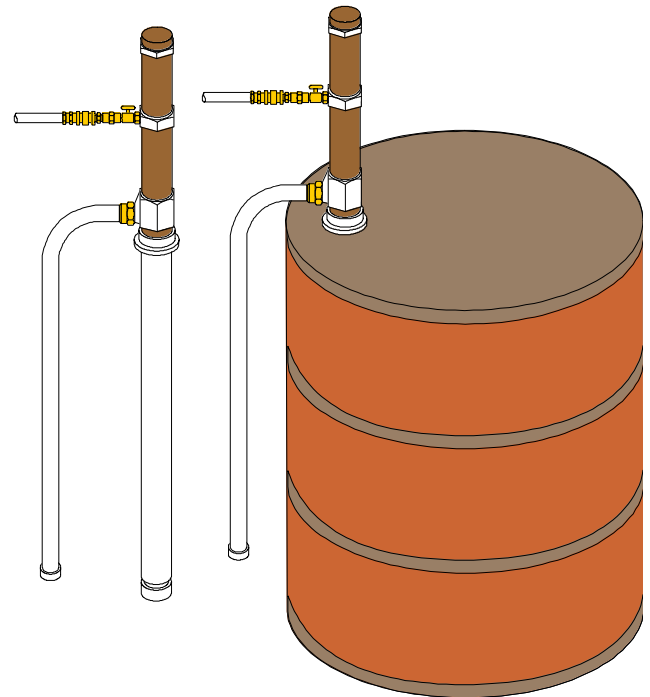
## PRODUCT DATA SHEET

### DESCRIPTION:

This type of pneumatically controlled automatic pump is suitable for transferring oil, light grease and non-corrosive fluids from 400 lb. (180 Kg.) commercial drums. It can be fixed onto the drum using a mobile bung adapter that allows the pump to be positioned at the required depth and the outlet to be pointed in any direction.

The pump is supplied complete with an air shut-off-valve and a quick release air connection. This type of pump is ideal for feeding lubricant at high pressure as the design eliminates air bubbles in the lubricant. These pumps can also be used for the transfer of alcohol, gasoline, solvents, mineral naphtha, kerosene and every other kind of non-corrosive, non-abrasive fluids.

The displacement is about 35 lb. Of grease or 2 cu. Ft. of SAE Oil per minute at a pressure of 100 psi. The pump weighs 9 Kg.



### SPECIFICATION:

**Recommended operating air pressure:**

100 psi.

**Maximum operating air pressure:** 200 psi.

**Maximum fluid pressure:** 200 psi.

**Lubricant outlet:** 1" BSP (RP 1 UNI-ISO 7/1).

**Air inlet:** ¼" BSP (RP ¼ UNI-ISO 7/1).

**Air exhaust port:** Ø 5/8"

**Lubricant inlet:** 0,30 cm<sup>3</sup>

**Displacement:** Ø 168 cm<sup>3</sup>/cycle

**Air consumption:** 800 NL/min. at 7 bar.

**Stroke:** 98,5 mm.

**Weight:** 9 Kg.

### INSTALLATION/OPERATION:

#### Maintenance.

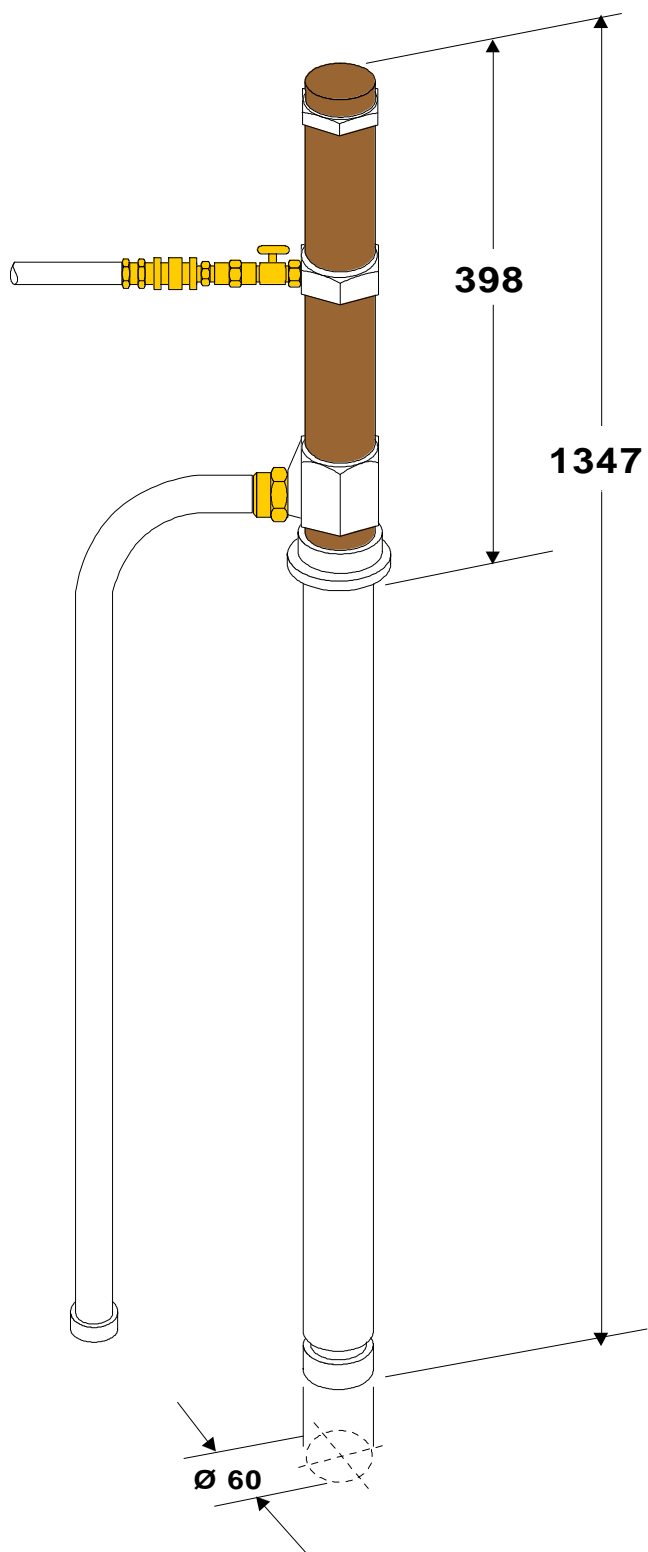
The pump must be cleaned periodically and whenever there is a change in the type of fluid to be handled. For routine maintenance a repair kit **Part No. 72211** is available.

### ORDERING INFORMATION:

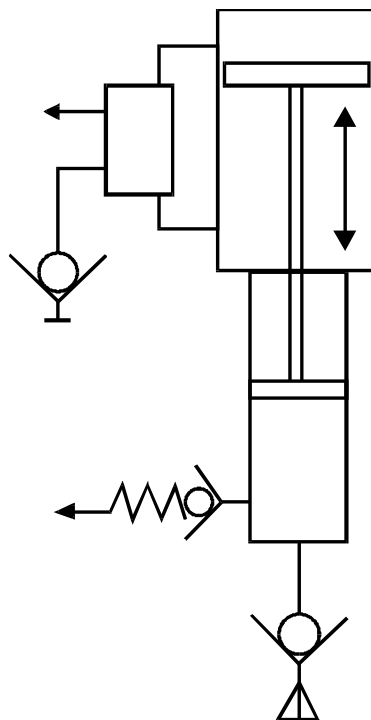
Ordering is by description and Part No. Please refer to the following table:

Part No. and description	Weight	Air pressure	Delivery	
			Oil SAE 10	Light grease SAE 140
<b>Standard model Part No. 72160</b>	9	7 bar	50 Ltr./min.	25 Ltr./min.
<b>With dispensing tube Part No. 72161</b>	9	7 bar	50 Ltr./min.	25 Ltr./min.

**Dimensions:**



**Hydraulic diagram.**



**ITALIA**  
Dropsa SpA  
t. +39 02-250791  
f.+39 02-25079767

**U.S.A.**  
Dropsa Corporation  
t. +1 586-566-1540  
f. +1 586-566-1541

**U.K.**  
Dropsa (UK) Ltd  
t. +44 (0)1784-431177  
f. +44 (0)1784-438598

**AUSTRALIA**  
Dropsa Australia Ltd.  
t. +61 (02)-9938-6644  
f. +61 (0)2-9938-6611

**GERMANY**  
Dropsa GmbH  
t. +49 (0)211-394-011  
f. +49 (0)211-394-013

**BRAZIL**  
Dropsa do Brasil  
t. +55 (0)11-563-10007  
f. +55 (0)11-563-19408

**FRANCE**  
Dropsa Ame  
t. +33 (0)1-3993-0033  
f. +33 (0)1-3986-2636

**CHINA**  
Dropsa Lubrication Systems  
(Shanghai) Co., Ltd  
t. +86 (021) 67740275  
f. +86 (021) 67740205